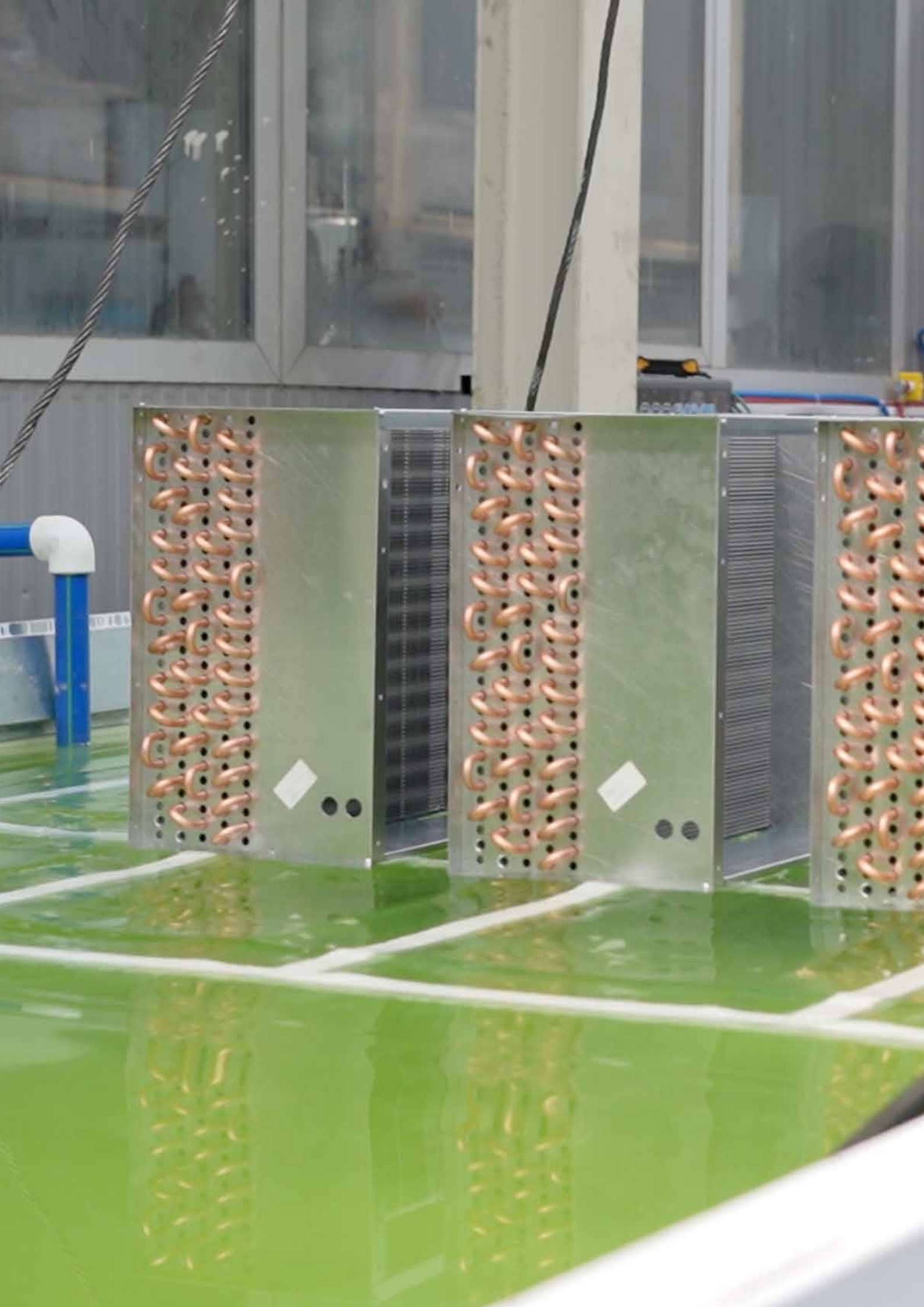




**EVAPORATÖRLER**  
*EVAPORATORS*

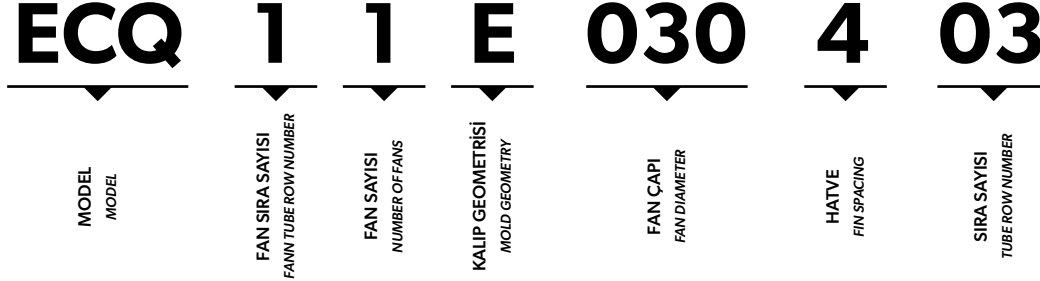






## ADLANDIRMA

### CLASIFICACION



Ürünlerimizde kapasite değerleri R404A gazı için Eurovent standart şartları (EN 328) kabul edilerek hesaplanmıştır.

- Ürünlerimiz geniş kapasite aralıkları ile küçük, orta ve büyük çaplı soğutma taleplerine cevap verebilmektedir.
- Ürünlerimiz basınç kayıpları dikkate alınarak devrelemesi optimum seviyede olacak şekilde tasarlanmıştır.
- Ürünlerimizde Ø250-Ø300-Ø350-Ø400-Ø450-Ø500 mm çaplarında yüksek verimli aksiyel tipte fanlar kullanılmaktadır.
- Ürünlerimizde kullanılan fanlarda motor koruma sınıfı Ø250-Ø300- Ø350-Ø400 mm fanlar için IP 44, Ø450- Ø500 mm fanlar için IP 54 'dür.
- Blueage Heat Exchanger farklı markalarda fan kullanma hakkına sahiptir. Bu duruma bağlı olarak fan bilgilerinde kısmi farklılıklar olabilir.
- Ürünlerimiz eğimli drenaj tavası sayesinde drenaj suyunu hızlı ve kolay şekilde tahliye edebilmektedir.
- Ürünlerimizin ergonomik yapısı sayesinde yan kapaklar ve drenaj tavası kolayca açılıp kapanır, kolay servis imkânı sağlar.
- Ürünlerimizde alt ayak ve taşıyıcı ayaklarla ürünlerin hasar görmeden güvenli şekilde sevkiyatı sağlanmaktadır.
- Ürünlerimizde soğutucu akışkanın girişinde distribütör kullanılarak soğutucu akışkanın evaporatör bataryasına eşit şekilde dağılması sağlanmaktadır.
- Ürünlerimize kullanım şartlarına göre defrost sistem uygulanabilmektedir.
- Ürünlerin içinde bulunan bakır borularda kesme olmaması için, ayna sacı malzemesinde alüminyum kullanılmaktadır.
- Ürünlerimizin paslanmaya ve UV ışınlarına karşı korunması için kasetleme malzemesinde kullanılan elektrostatik epoksi toz boya ile sıcaklık dayanımı artırılmıştır ve ürünlerimizin uzun ömürlü olmasını sağlamıştır.
- Bataryalarda test basıncı 36 bar Maximum işletme basıncı 25 bardır.
- Ürünlerimiz boyut ve ağırlıklarına uygun olarak ambalajlanmaktadır.

The capacity values of our products have been calculated by accepting the Eurovent standard conditions (EN 328) for R404A gas.

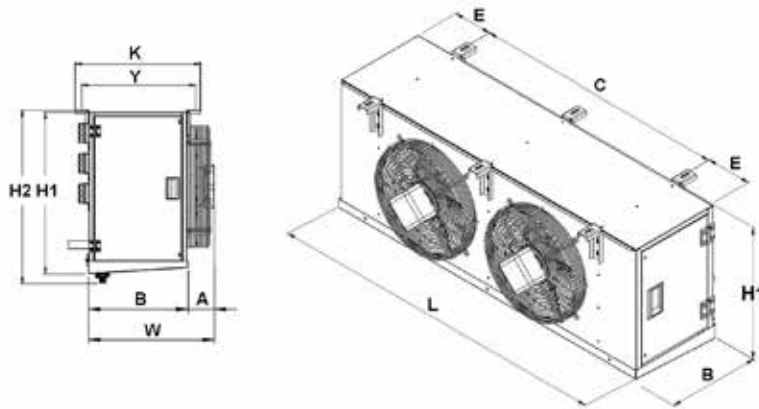
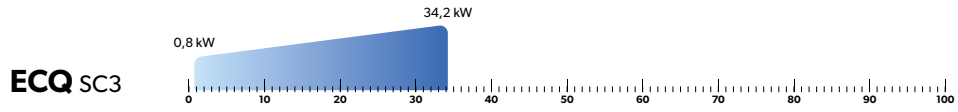
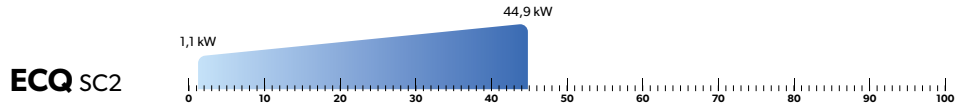
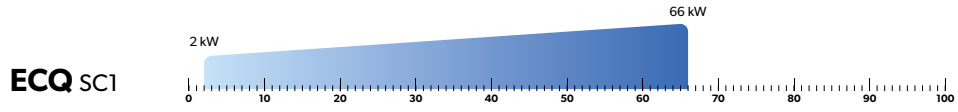
- Our products can handle small, medium, and big diameter cooling demands with a broad capacity range.
- Our products are designed in such a manner that the circuit operates at peak efficiency while accounting for pressure losses.
- High efficiency axial type fans with diameters of Ø250-Ø300-Ø350-Ø400-Ø450-Ø500 mm are used in our products.
- Motor protection class for fans used in our products is IP 44 for Ø250-Ø300- Ø350- Ø400 mm fans and IP 54 for Ø450- Ø500 mm fans.
- Blueage Heat Exchanger has the right to use fans of different brands. Depending on this situation, there may be partial differences in the fan information.
- Our products can drain drainage water quickly and easily thanks to the inclined drainage pan.
- Our products' ergonomic design makes it simple to open and close the side covers and the drain pan, making maintenance simple.
- The bottom foot and carrier feet in our products provide safe transportation of the products without harm.
- The refrigerant in our products is uniformly delivered to the evaporator battery through a distributor at the refrigerant intake.
- \* A defrost system can be applied to our products according to the conditions of use.
- Aluminum is utilized in the mirror sheet material so that the copper pipes contained in the products are not cut.
- \* The electrostatic epoxy powder coating used in the cassetting material to protect our products from rust and UV rays has increased temperature resistance and ensured our products' prolonged service life.
- \* The test pressure for batteries is 36 bar, the maximum operating pressure is 25 bar.
- \* Our products are packaged in accordance with their size and weight.

# ECQ - DUVAR TİPİ TİCARİ EVAPORATÖRLER

ECQ - WALL TYPE COMMERCIAL EVAPORATORS

## ÜRÜN KAPASİTE ARALIĞI

PRODUCT CAPACITY RANGE



# ÜRÜN ÖZELLİKLERİ

PRODUCT SPECIFICATIONS

HATVE / FIN SPACING

4 MM



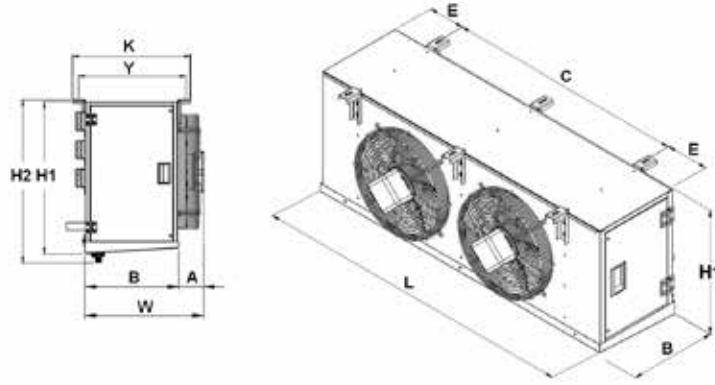
MODEL MODEL MODELL	Yüzey Surface / Oberfläche m <sup>2</sup>	Boru Hacmi Tube Volume Rohrvolumen dm <sup>3</sup>	Kapasite Capacity / Nenn Leistung (R 404 A)			Fan Fan Ventilatoren		DEFROST ISITICILAR ELECTRIC DEFROST		
			Te = 0°C To = 10°C	Te = -8°C To = 0°C	Te = -25°C To = -18°C	Fan Sayısı Fan Number Vent. Anzahl	Fan Çapı Fan Diameter Ventilator Durchmesser	BATARYA COIL (PR x W)	BATARYA COIL (PR x W)	TAVA DRAIN TRAY (PR x W)
			SC1	SC2	SC3			E1	E2	E2
ECQ 11E030-403	6,3	1,00	2.396	1.620	-	1x1	Ø300	2x440	3x440	1x440
ECQ 11E030-404	8,4	1,30	2.969	2.026	-	1x1	Ø300	2x440	3x440	1x440
ECQ 11E030-405	10,5	1,70	3.352	2.308	-	1x1	Ø300	2x440	3x440	1x440
ECQ 11E030-406	12,5	2,00	3.647	2.518	-	1x1	Ø300	2x440	3x440	1x440
ECQ 12E030-403	12,5	2,00	4.978	3.380	-	1x2	Ø300	2x840	3x840	1x840
ECQ 12E030-404	16,7	2,70	5.990	4.115	-	1x2	Ø300	2x840	3x840	1x840
ECQ 12E030-405	20,8	3,10	6.737	4.631	-	1x2	Ø300	2x840	3x840	1x840
ECQ 12E030-406	25,1	4,00	7.311	5.076	-	1x2	Ø300	3x840	4x840	1x840
ECQ 13E030-404	25,1	4,00	9.033	6.162	-	1x3	Ø300	2x1240	3x1240	1x1240
ECQ 13E030-405	31,3	5,00	10.271	7.074	-	1x3	Ø300	2x1240	3x1240	1x1240
ECQ 13E030-406	37,6	6,00	11.058	7.672	-	1x3	Ø300	3x1240	4x1240	1x1240
ECQ 14E030-404	32,6	5,20	11.910	8.173	-	1x4	Ø300	2x1600	3x1600	1x1600
ECQ 14E030-405	40,6	6,10	13.299	9.163	-	1x4	Ø300	2x1600	3x1600	1x1600
ECQ 14E030-406	48,9	7,80	14.605	10.125	-	1x4	Ø300	3x1600	4x1600	1x1600
ECQ 11E035-403	10,1	1,50	4.141	2.790	-	1x1	Ø350	2x560	3x560	1x560
ECQ 11E035-404	13,6	2,20	5.254	3.583	-	1x1	Ø350	2x560	3x560	1x560
ECQ 11E035-405	16,9	2,60	5.954	4.063	-	1x1	Ø350	2x560	3x560	1x560
ECQ 11E035-406	20,3	3,20	6.576	4.528	-	1x1	Ø350	3x560	4x560	1x560
ECQ 12E035-403	20,2	2,90	8.506	5.772	-	1x2	Ø350	2x1080	3x1080	1x1080
ECQ 12E035-404	27,2	4,30	10.585	7.250	-	1x2	Ø350	2x1080	3x1080	1x1080
ECQ 12E035-405	33,9	5,20	12.033	8.261	-	1x2	Ø350	3x1080	4x1080	1x1080
ECQ 12E035-406	40,6	6,10	13.162	9.073	-	1x2	Ø350	3x1080	4x1080	1x1080
ECQ 13E035-403	30,3	4,60	12.896	8.727	-	1x3	Ø350	2x1600	3x1600	1x1600
ECQ 13E035-404	40,6	6,10	15.734	10.771	-	1x3	Ø350	2x1600	3x1600	1x1600
ECQ 13E035-405	50,8	7,80	18.153	12.463	-	1x3	Ø350	3x1600	4x1600	1x1600
ECQ 13E035-406	61,0	9,60	20.000	13.801	-	1x3	Ø350	3x1600	4x1600	1x1600
ECQ 14E035-403	40,7	6,40	17.148	11.577	-	1x4	Ø350	2x2120	3x2120	1x2120
ECQ 14E035-404	54,3	8,70	21.369	14.639	-	1x4	Ø350	2x2120	3x2120	1x2120
ECQ 14E035-405	67,7	10,40	24.274	16.666	-	1x4	Ø350	3x2120	4x2120	1x2120
ECQ 14E035-406	81,5	13,00	26.847	18.522	-	1x4	Ø350	3x2120	4x2120	1x2120
ECQ 11G040-404	19,8	3,60	6.089	4.102	-	1x1	Ø400	2x560	3x560	1x560
ECQ 11G040-405	24,1	4,20	6.855	4.609	-	1x1	Ø400	3x560	4x560	1x560
ECQ 11G040-406	29,0	5,40	7.916	5.378	-	1x1	Ø400	3x560	4x560	1x560
ECQ 12G040-404	38,8	7,20	12.342	8.311	-	1x2	Ø400	2x1080	3x1080	1x1080
ECQ 12G040-405	48,5	9,00	14.353	9.708	-	1x2	Ø400	3x1080	4x1080	1x1080
ECQ 12G040-406	58,1	10,80	16.000	10.868	-	1x2	Ø400	3x1080	4x1080	1x1080
ECQ 13G040-404	57,8	9,60	18.170	12.244	-	1x3	Ø400	2x1600	3x1600	1x1600
ECQ 13G040-405	72,7	13,50	21.707	14.709	-	1x3	Ø400	3x1600	4x1600	1x1600
ECQ 13G040-406	87,2	16,20	24.149	16.503	-	1x3	Ø400	3x1600	4x1600	1x1600
ECQ 14G040-404	77,5	14,40	24.967	16.889	-	1x4	Ø400	2x2120	3x2120	1x2120
ECQ 14G040-405	96,4	16,50	28.477	19.298	-	1x4	Ø400	3x2120	4x2120	1x2120
ECQ 14G040-406	115,9	20,60	32.081	21.834	-	1x4	Ø400	3x2120	4x2120	1x2120

# ÜRÜN BOYUTLARI

## PRODUCT DIMENSIONS

HATVE / FIN SPACING

4 MM



MODEL MODEL MODELL	ÜRÜN BOYUTLARI PRODUCT DIMENSIONS												BAĞLANTILAR CONNECTIONS	
	C(MM)	F(MM)	E(MM)	H1(MM)	H2(MM)	L(MM)	W(MM)	B(MM)	B1(MM)	A(MM)	K(MM)	Y(MM)	GİRİŞ INPUT	ÇIKIŞ OUTPUT
													ØDin	ØDout
ECQ 11E030-403	430	0	176	448	523	782	401	291	0	111	370	330	1x12	1x12
ECQ 11E030-404	430	0	176	448	523	782	401	291	0	111	370	330	1x12	1x12
ECQ 11E030-405	430	0	176	448	523	782	401	291	0	111	370	330	1x12	1x16
ECQ 11E030-406	430	0	176	448	523	782	401	291	0	111	370	330	1x12	1x16
ECQ 12E030-403	830	0	176	448	523	1182	401	291	0	111	370	330	1x12	1x19
ECQ 12E030-404	830	0	176	448	523	1182	401	291	0	111	370	330	1x12	1x19
ECQ 12E030-405	830	0	176	448	523	1182	401	291	0	111	370	330	1x12	1x19
ECQ 12E030-406	830	0	176	448	523	1182	401	291	0	111	370	330	1x12	1x19
ECQ 13E030-404	1230	0	176	448	523	1582	401	291	0	111	370	330	1x12	1x22
ECQ 13E030-405	1230	0	176	448	523	1582	401	291	0	111	370	330	1x12	1x22
ECQ 13E030-406	1230	0	176	448	523	1582	401	291	0	111	370	330	1x16	1x22
ECQ 14E030-404	1590	0	176	448	523	1942	401	291	0	111	370	330	1x16	1x22
ECQ 14E030-405	1590	0	176	448	523	1942	401	291	0	111	370	330	1x16	1x22
ECQ 14E030-406	1590	0	176	448	523	1942	401	291	0	111	370	330	1x16	1x22
ECQ 11E035-403	550	0	176	544	619	902	436	311	0	125	390	350	1x12	1x16
ECQ 11E035-404	550	0	176	544	619	902	436	311	0	125	390	350	1x12	1x16
ECQ 11E035-405	550	0	176	544	619	902	436	311	0	125	390	350	1x12	1x16
ECQ 11E035-406	550	0	176	544	619	902	436	311	0	125	390	350	1x12	1x19
ECQ 12E035-403	1070	0	176	544	619	1422	436	311	0	125	390	350	1x12	1x19
ECQ 12E035-404	1070	0	176	544	619	1422	436	311	0	125	390	350	1x12	1x22
ECQ 12E035-405	1070	0	176	544	619	1422	436	311	0	125	390	350	1x16	1x22
ECQ 12E035-406	1070	0	176	544	619	1422	436	311	0	125	390	350	1x16	1x22
ECQ 13E035-403	1590	0	176	544	619	1942	436	311	0	125	390	350	1x16	1x22
ECQ 13E035-404	1590	0	176	544	619	1942	436	311	0	125	390	350	1x16	1x28
ECQ 13E035-405	1590	0	176	544	619	1942	436	311	0	125	390	350	1x16	1x28
ECQ 13E035-406	1590	0	176	544	619	1942	436	311	0	125	390	350	1x16	1x28
ECQ 14E035-403	2110	0	176	544	619	2462	436	311	0	125	390	350	1x16	1x28
ECQ 14E035-404	2110	0	176	544	619	2462	436	311	0	125	390	350	1x16	1x28
ECQ 14E035-405	2110	0	176	544	619	2462	436	311	0	125	390	350	1x19	1x35
ECQ 14E035-406	2110	0	176	544	619	2462	436	311	0	125	390	350	1x19	1x35
ECQ 11G040-404	550	0	176	634	709	902	523	392	0	132	470	430	1x12	1x19
ECQ 11G040-405	550	0	176	634	709	902	523	392	0	132	470	430	1x12	1x19
ECQ 11G040-406	550	0	176	634	709	902	523	392	0	132	470	430	1x12	1x19
ECQ 12G040-404	1070	0	176	634	709	1422	523	392	0	132	470	430	1x12	1x22
ECQ 12G040-405	1070	0	176	634	709	1422	523	392	0	132	470	430	1x16	1x22
ECQ 12G040-406	1070	0	176	634	709	1422	523	392	0	132	470	430	1x16	1x28
ECQ 13G040-404	1590	0	176	634	709	1942	523	392	0	132	470	430	1x16	1x28
ECQ 13G040-405	1590	0	176	634	709	1942	523	392	0	132	470	430	1x16	1x28
ECQ 13G040-406	1590	0	176	634	709	1942	523	392	0	132	470	430	1x16	1x35
ECQ 14G040-404	2110	0	176	634	709	2462	523	392	0	132	470	430	1x16	1x35
ECQ 14G040-405	2110	0	176	634	709	2462	523	392	0	132	470	430	1x19	1x35
ECQ 14G040-406	2110	0	176	634	709	2462	523	392	0	132	470	430	1x19	1x35

# ÜRÜN ÖZELLİKLERİ

PRODUCT SPECIFICATIONS

HATVE / FIN SPACING

6 MM



MODEL MODEL MODELL	Yüzeý Surface / Oberfläche m <sup>2</sup>	Boru Hacmi Tube Volume Rohrvolumen dm <sup>3</sup>	Kapasite Capacity / Nenn Leistung (R 404 A)			Fan Fan Ventilatoren		DEFROST ISITICILAR ELECTRIC DEFROST		
			Te = 0°C To = 10°C	Te = -8°C To = 0°C	Te = -25°C To = -18°C	Fan Sayısı Fan Number Vent.Anzahl	Fan Çapı Fan Diameter Ventilator Durchmesser	BATARYA COIL (PR x W) E1	BATARYA COIL (PR x W) E2	TAVA DRAIN TRAY (PR x W) E2
			SC1	SC2	SC3					
ECQ 11E030-603	4,3	1,00	2.005	1.337	1.046	1x1	Ø300	2x440	3x440	1x440
ECQ 11E030-604	5,8	1,30	2.559	1.730	1.322	1x1	Ø300	2x440	3x440	1x440
ECQ 11E030-605	7,2	1,70	2.971	2.025	1.492	1x1	Ø300	2x440	3x440	1x440
ECQ 11E030-606	8,7	2,00	3.256	2.235	1.598	1x1	Ø300	2x440	3x440	1x440
ECQ 12E030-603	8,7	2,00	4.205	2.863	2.067	1x2	Ø300	2x840	3x840	1x840
ECQ 12E030-604	11,6	2,70	5.225	3.554	2.626	1x2	Ø300	2x840	3x840	1x840
ECQ 12E030-605	14,4	3,30	5.931	4.019	3.088	1x2	Ø300	2x840	3x840	1x840
ECQ 12E030-606	17,3	4,00	6.629	4.435	3.306	1x2	Ø300	3x840	4x840	1x840
ECQ 13E030-604	17,3	4,00	7.841	5.350	3.887	1x3	Ø300	2x1240	3x1240	1x1240
ECQ 13E030-605	21,7	5,00	9.038	6.192	4.503	1x3	Ø300	2x1240	3x1240	1x1240
ECQ 13E030-606	26,0	6,00	10.004	6.876	5.007	1x3	Ø300	3x1240	4x1240	1x1240
ECQ 14E030-604	22,5	5,20	10.354	7.044	5.250	1x4	Ø300	2x1600	3x1600	1x1600
ECQ 14E030-605	28,0	6,50	11.790	8.093	5.817	1x4	Ø300	2x1600	3x1600	1x1600
ECQ 14E030-606	33,7	7,60	12.976	8.941	6.433	1x4	Ø300	3x1600	4x1600	1x1600
ECQ 11E035-603	7,0	1,60	3.640	2.457	1.841	1x1	Ø350	2x560	3x560	1x560
ECQ 11E035-604	9,4	2,20	4.532	3.058	2.321	1x1	Ø350	2x560	3x560	1x560
ECQ 11E035-605	11,7	2,60	5.225	3.556	2.619	1x1	Ø350	2x560	3x560	1x560
ECQ 11E035-606	14,0	3,20	5.865	3.993	2.977	1x1	Ø350	3x560	4x560	1x560
ECQ 12E035-603	14,0	2,90	7.206	4.844	3.705	1x2	Ø350	2x1080	3x1080	1x1080
ECQ 12E035-604	19,0	4,30	9.194	6.242	4.639	1x2	Ø350	2x1080	3x1080	1x1080
ECQ 12E035-605	23,4	5,20	10.590	7.207	5.351	1x2	Ø350	3x1080	4x1080	1x1080
ECQ 12E035-606	28,0	6,10	11.757	8.021	5.947	1x2	Ø350	3x1080	4x1080	1x1080
ECQ 13E035-603	21,0	4,30	10.862	7.348	5.400	1x3	Ø350	2x1600	3x1600	1x1600
ECQ 13E035-604	28,0	6,10	13.653	9.264	6.883	1x3	Ø350	2x1600	3x1600	1x1600
ECQ 13E035-605	35,0	7,80	15.956	10.859	8.084	1x3	Ø350	3x1600	4x1600	1x1600
ECQ 13E035-606	42,2	9,80	17.759	12.188	8.757	1x3	Ø350	3x1600	4x1600	1x1600
ECQ 14E035-603	28,0	6,10	14.697	9.946	7.411	1x4	Ø350	2x2120	3x2120	1x2120
ECQ 14E035-604	37,5	8,70	18.521	12.574	9.383	1x4	Ø350	2x2120	3x2120	1x2120
ECQ 14E035-605	46,7	10,40	21.324	14.512	10.818	1x4	Ø350	3x2120	4x2120	1x2120
ECQ 14E035-606	56,3	13,00	23.961	16.354	12.203	1x4	Ø350	3x2120	4x2120	1x2120
ECQ 11G040-604	13,3	3,60	5.211	3.479	2.794	1x1	Ø400	2x560	3x560	1x560
ECQ 11G040-605	16,6	4,40	6.140	4.141	3.158	1x1	Ø400	3x560	4x560	1x560
ECQ 11G040-606	20,0	5,40	6.956	4.673	3.753	1x1	Ø400	3x560	4x560	1x560
ECQ 12G040-604	26,7	7,20	10.528	7.027	5.687	1x2	Ø400	2x1080	3x1080	1x1080
ECQ 12G040-605	33,0	8,20	12.286	8.261	6.434	1x2	Ø400	3x1080	4x1080	1x1080
ECQ 12G040-606	40,0	10,30	14.037	9.468	7.387	1x2	Ø400	3x1080	4x1080	1x1080
ECQ 13G040-604	40,0	9,60	15.556	10.398	8.254	1x2	Ø400	2x1600	3x1600	1x1600
ECQ 13G040-605	50,0	13,50	18.822	12.627	10.066	1x3	Ø400	3x1600	4x1600	1x1600
ECQ 13G040-606	60,0	16,20	21.447	14.530	11.107	1x3	Ø400	3x1600	4x1600	1x1600
ECQ 14G040-604	53,3	14,40	21.423	14.379	11.347	1x4	Ø400	2x2120	3x2120	1x2120
ECQ 14G040-605	66,0	16,50	24.769	16.646	13.034	1x4	Ø400	3x2120	4x2120	1x2120
ECQ 14G040-606	79,6	20,60	28.261	19.059	14.946	1x4	Ø400	3x2120	4x2120	1x2120
ECQ 11G045-604	16,7	4,50	6.779	4.565	3.476	1x1	Ø450	3x690	4x690	1x690
ECQ 11G045-605	20,7	5,30	7.871	5.241	4.232	1x1	Ø450	3x690	4x690	1x690
ECQ 11G045-606	25,0	6,80	9.134	6.177	4.708	1x1	Ø450	4x690	5x690	1x690
ECQ 11G045-608	33,3	9,00	10.887	7.403	5.644	1x1	Ø450	4x690	5x690	1x690
ECQ 12G045-604	33,3	9,00	13.770	9.271	7.130	1x2	Ø450	3x1340	4x1340	1x1340
ECQ 12G045-605	41,6	11,30	16.307	11.003	8.459	1x2	Ø450	3x1340	4x1340	1x1340
ECQ 12G045-606	50,0	13,50	18.507	12.515	9.624	1x2	Ø450	4x1340	5x1340	1x1340
ECQ 12G045-608	66,6	18,00	21.945	14.979	11.162	1x2	Ø450	4x1340	5x1340	1x1340
ECQ 13G045-604	50,0	13,50	20.637	13.804	11.072	1x3	Ø450	3x1990	4x1990	1x1990
ECQ 13G045-605	62,5	16,90	24.528	16.592	12.578	1x3	Ø450	3x1990	4x1990	1x1990
ECQ 13G045-606	74,6	19,30	27.516	18.641	14.083	1x3	Ø450	4x1990	5x1990	1x1990
ECQ 13G045-608	100,0	26,50	33.028	22.499	17.053	1x3	Ø450	4x1990	5x1990	1x1990
ECQ 14G045-605	76,3	19,00	30.154	20.378	15.437	1x4	Ø450	3x2440	4x2440	1x2440
ECQ 14G045-606	92,0	23,80	34.632	23.468	17.848	1x4	Ø450	4x2440	5x2440	1x2440
ECQ 14G045-608	123,0	33,30	41.657	28.412	21.697	1x4	Ø450	4x2440	5x2440	1x2440
ECQ 11G050-606	35,0	9,50	13.558	9.181	6.919	1x1	Ø500	4x840	5x840	1x840
ECQ 11G050-608	46,8	12,50	16.100	10.883	8.744	1x1	Ø500	5x840	6x840	1x840
ECQ 12G050-605	57,0	15,40	23.592	15.807	12.662	1x2	Ø500	4x1600	5x1600	1x1600
ECQ 12G050-606	68,5	18,50	26.983	18.257	13.969	1x2	Ø500	5x1600	6x1600	1x1600
ECQ 12G050-608	90,8	23,20	31.736	21.402	16.976	1x2	Ø500	6x1600	7x1600	1x1600
ECQ 13G050-605	88,0	23,80	36.326	24.539	18.697	1x3	Ø500	4x2440	5x2440	1x2440
ECQ 13G050-606	105,4	28,50	41.419	28.042	21.368	1x3	Ø500	5x2440	6x2440	1x2440
ECQ 13G050-608	140,6	38,00	49.722	33.791	25.763	1x3	Ø500	6x2440	7x2440	1x2440
ECQ 14G050-605	117,0	31,00	48.231	32.564	24.796	1x4	Ø500	4x3240	5x3240	1x3240
ECQ 14G050-606	140,5	38,00	55.352	37.475	28.598	1x4	Ø500	5x3240	6x3240	1x3240
ECQ 14G050-608	187,0	50,00	66.189	44.973	34.297	1x4	Ø500	6x3240	7x3240	1x3240

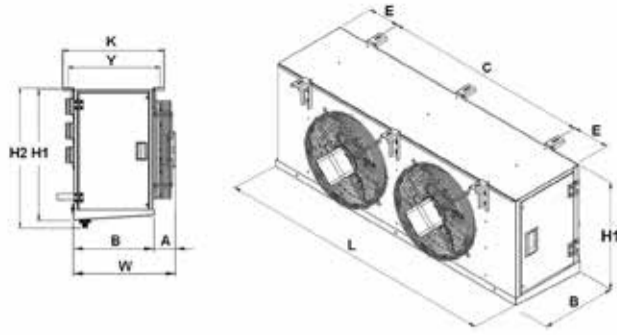


# ÜRÜN BOYUTLARI

## PRODUCT DIMENSIONS

HATVE / FIN SPACING

6 MM



MODEL MODEL MODELL	ÜRÜN BOYUTLARI PRODUCT DIMENSIONS												BAĞLANTILAR CONNECTIONS	
	C(MM)	F(MM)	E(MM)	H1(MM)	H2(MM)	L(MM)	W(MM)	B(MM)	B1(MM)	A(MM)	K(MM)	Y(MM)	GİRİŞ INPUT	ÇIKIŞ OUTPUT
													ØDin	ØDout
ECQ 11E030-603	430	0	176	448	523	782	401	291	0	111	370	330	1x10	1x10
ECQ 11E030-604	430	0	176	448	523	782	401	291	0	111	370	330	1x12	1x12
ECQ 11E030-605	430	0	176	448	523	782	401	291	0	111	370	330	1x12	1x12
ECQ 11E030-606	430	0	176	448	523	782	401	291	0	111	370	330	1x12	1x16
ECQ 12E030-603	830	0	176	448	523	1182	401	291	0	111	370	330	1x12	1x19
ECQ 12E030-604	830	0	176	448	523	1182	401	291	0	111	370	330	1x12	1x19
ECQ 12E030-605	830	0	176	448	523	1182	401	291	0	111	370	330	1x12	1x19
ECQ 12E030-606	830	0	176	448	523	1182	401	291	0	111	370	330	1x12	1x19
ECQ 13E030-604	1230	0	176	448	523	1582	401	291	0	111	370	330	1x12	1x22
ECQ 13E030-605	1230	0	176	448	523	1582	401	291	0	111	370	330	1x12	1x22
ECQ 13E030-606	1230	0	176	448	523	1582	401	291	0	111	370	330	1x12	1x22
ECQ 14E030-604	1590	0	176	448	523	1942	401	291	0	111	370	330	1x16	1x22
ECQ 14E030-605	1590	0	176	448	523	1942	401	291	0	111	370	330	1x16	1x22
ECQ 14E030-606	1590	0	176	448	523	1942	401	291	0	111	370	330	1x16	1x22
ECQ 11E035-603	550	0	176	544	619	902	436	311	0	125	390	350	1x12	1x16
ECQ 11E035-604	550	0	176	544	619	902	436	311	0	125	390	350	1x12	1x16
ECQ 11E035-605	550	0	176	544	619	902	436	311	0	125	390	350	1x12	1x16
ECQ 11E035-606	550	0	176	544	619	902	436	311	0	125	390	350	1x12	1x19
ECQ 12E035-603	1070	0	176	544	619	1422	436	311	0	125	390	350	1x12	1x22
ECQ 12E035-604	1070	0	176	544	619	1422	436	311	0	125	390	350	1x12	1x22
ECQ 12E035-605	1070	0	176	544	619	1422	436	311	0	125	390	350	1x16	1x22
ECQ 12E035-606	1070	0	176	544	619	1422	436	311	0	125	390	350	1x16	1x22
ECQ 13E035-603	1590	0	176	544	619	1942	436	311	0	125	390	350	1x16	1x22
ECQ 13E035-604	1590	0	176	544	619	1942	436	311	0	125	390	350	1x16	1x28
ECQ 13E035-605	1590	0	176	544	619	1942	436	311	0	125	390	350	1x16	1x28
ECQ 13E035-606	1590	0	176	544	619	1942	436	311	0	125	390	350	1x16	1x28
ECQ 14E035-603	2110	0	176	544	619	2462	436	311	0	125	390	350	1x16	1x28
ECQ 14E035-604	2110	0	176	544	619	2462	436	311	0	125	390	350	1x16	1x28
ECQ 14E035-605	2110	0	176	544	619	2462	436	311	0	125	390	350	1x19	1x35
ECQ 14E035-606	2110	0	176	544	619	2462	436	311	0	125	390	350	1x19	1x35
ECQ 11G040-604	550	0	176	634	709	902	523	392	0	132	470	430	1x12	1x19
ECQ 11G040-605	550	0	176	634	709	902	523	392	0	132	470	430	1x12	1x19
ECQ 11G040-606	550	0	176	634	709	902	523	392	0	132	470	430	1x12	1x19
ECQ 12G040-604	1070	0	176	634	709	1422	523	392	0	132	470	430	1x12	1x22
ECQ 12G040-605	1070	0	176	634	709	1422	523	392	0	132	470	430	1x16	1x22
ECQ 12G040-606	1070	0	176	634	709	1422	523	392	0	132	470	430	1x16	1x28
ECQ 13G040-604	1590	0	176	634	709	1942	523	392	0	132	470	430	1x16	1x28
ECQ 13G040-605	1590	0	176	634	709	1942	523	392	0	132	470	430	1x16	1x28
ECQ 13G040-606	1590	0	176	634	709	1942	523	392	0	132	470	430	1x16	1x35
ECQ 14G040-604	2110	0	176	634	709	2462	523	392	0	132	470	430	1x16	1x35
ECQ 14G040-605	2110	0	176	634	709	2462	523	392	0	132	470	430	1x19	1x35
ECQ 14G040-606	2110	0	176	634	709	2462	523	392	0	132	470	430	1x19	1x35
ECQ 11G045-604	680	0	176	639	714	1032	601	472	0	130	550	510	1x12	1x19
ECQ 11G045-605	680	0	176	639	714	1032	601	472	0	130	550	510	1x12	1x19
ECQ 11G045-606	680	0	176	639	714	1032	601	472	0	130	550	510	1x12	1x19
ECQ 11G045-608	680	0	176	639	714	1032	601	472	0	130	550	510	1x12	1x22
ECQ 12G045-604	1330	0	176	639	714	1682	601	472	0	130	550	510	1x12	1x22
ECQ 12G045-605	1330	0	176	639	714	1682	601	472	0	130	550	510	1x12	1x22
ECQ 12G045-606	1330	0	176	639	714	1682	601	472	0	130	550	510	1x16	1x28
ECQ 12G045-608	1330	0	176	639	714	1682	601	472	0	130	550	510	1x16	1x28
ECQ 13G045-604	1980	0	176	639	714	2332	601	472	0	130	550	510	1x16	1x28
ECQ 13G045-605	1980	0	176	639	714	2332	601	472	0	130	550	510	1x16	1x28
ECQ 13G045-606	1980	0	176	639	714	2332	601	472	0	130	550	510	1x16	1x35
ECQ 13G045-608	1980	0	176	639	714	2332	601	472	0	130	550	510	1x19	1x35
ECQ 14G045-605	2430	0	176	639	714	2782	601	472	0	130	550	510	1x19	1x35
ECQ 14G045-606	2430	0	176	639	714	2782	601	472	0	130	550	510	1x19	1x35
ECQ 14G045-608	2430	0	176	639	714	2782	601	472	0	130	550	510	1x22	1x42
ECQ 11G050-606	830	0	176	719	794	1182	606	472	0	135	550	510	1x12	1x22
ECQ 11G050-608	830	0	176	719	794	1182	606	472	0	135	550	510	1x12	1x22
ECQ 12G050-605	1590	0	176	719	794	1942	606	472	0	135	550	510	1x16	1x28
ECQ 12G050-606	1590	0	176	719	794	1942	606	472	0	135	550	510	1x16	1x35
ECQ 12G050-608	1590	0	176	719	794	1942	606	472	0	135	550	510	1x16	1x35
ECQ 13G050-605	2430	0	176	719	794	2782	606	472	0	135	550	510	1x19	1x35
ECQ 13G050-606	2430	0	176	719	794	2782	606	472	0	135	550	510	1x22	1x35
ECQ 13G050-608	2430	0	176	719	794	2782	606	472	0	135	550	510	1x22	1x42
ECQ 14G050-605	3230	0	176	719	794	3582	606	472	0	135	550	510	1x22	1x42
ECQ 14G050-606	3230	0	176	719	794	3582	606	472	0	135	550	510	1x22	1x42
ECQ 14G050-608	3230	0	176	719	794	3582	606	472	0	135	550	510	1x22	1x42

# ÜRÜN ÖZELLİKLERİ

PRODUCT SPECIFICATIONS

HATVE / FIN SPACING

8 MM



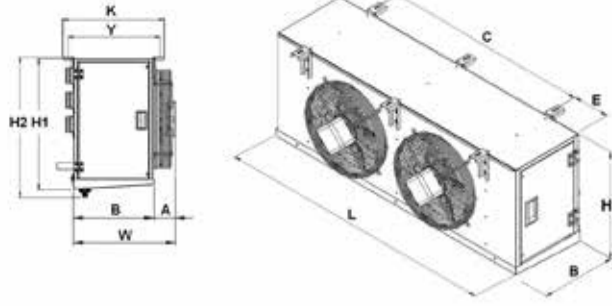
MODEL MODEL MODELL	Yüzey Surface / Oberfläche m²	Boru Hacmi Tube Volume Rohrvolumen dm³	Kapasite Capacity / Nenn Leistung (R404 A)			Fan Fan Ventilatoren		DEFROST ISITICILAR ELECTRIC DEFROST		
			Te = -8°C To = 0°C	Te = -25°C To = -18°C	Te = -31°C To = -25°C	Fan Sayısı Fan Number Vent.Anzahl	Fan Çapı Fan Diameter Ventilator Durchmesser	BATARYA COIL (PR x W)	BATARYA COIL (PR x W)	TAVA DRAIN TRAY (PR x W)
			SC2	SC3	SC4			E1	E2	E2
ECQ 11E030-803	3,4	1,00	1.135	875	722	1x1	Ø300	2x440	3x440	1x440
ECQ 11E030-804	4,5	1,30	1.530	1.160	955	1x1	Ø300	2x440	3x440	1x440
ECQ 11E030-805	5,6	1,70	1.828	1.340	1.119	1x1	Ø300	2x440	3x440	1x440
ECQ 11E030-806	6,7	2,00	2.046	1.461	1.208	1x1	Ø300	2x440	3x440	1x440
ECQ 12E030-803	6,7	2,00	2.479	1.897	1.574	1x2	Ø300	2x840	3x840	1x840
ECQ 12E030-804	9,0	2,70	3.174	2.325	1.934	1x2	Ø300	2x840	3x840	1x840
ECQ 12E030-805	11,1	3,10	3.618	2.697	2.267	1x2	Ø300	2x840	3x840	1x840
ECQ 12E030-806	13,5	4,00	4.155	2.999	2.498	1x2	Ø300	3x840	4x840	1x840
ECQ 13E030-804	13,5	4,00	4.793	3.472	2.855	1x3	Ø300	2x1240	3x1240	1x1240
ECQ 13E030-805	16,8	5,00	5.590	4.058	3.359	1x3	Ø300	2x1240	3x1240	1x1240
ECQ 13E030-806	20,2	6,00	6.265	4.537	3.790	1x3	Ø300	3x1240	4x1240	1x1240
ECQ 14E030-804	17,5	5,20	6.272	4.639	3.882	1x4	Ø300	2x1600	3x1600	1x1600
ECQ 14E030-805	21,7	6,10	7.204	5.317	4.461	1x4	Ø300	2x1600	3x1600	1x1600
ECQ 14E030-806	26,2	7,80	8.187	6.053	5.105	1x4	Ø300	3x1600	4x1600	1x1600
ECQ 11E035-803	5,5	1,60	2.170	1.612	1.334	1x1	Ø350	2x560	3x560	1x560
ECQ 11E035-804	7,3	2,20	2.716	2.048	1.712	1x1	Ø350	2x560	3x560	1x560
ECQ 11E035-805	9,1	2,60	3.200	2.342	1.940	1x1	Ø350	2x560	3x560	1x560
ECQ 11E035-806	10,9	3,20	3.620	2.684	2.249	1x1	Ø350	3x560	4x560	1x560
ECQ 12E035-803	10,8	2,90	4.248	3.219	2.687	1x2	Ø350	2x1080	3x1080	1x1080
ECQ 12E035-804	14,6	4,30	5.554	4.114	3.407	1x2	Ø350	2x1080	3x1080	1x1080
ECQ 12E035-805	18,1	5,20	6.471	4.769	3.974	1x2	Ø350	3x1080	4x1080	1x1080
ECQ 12E035-806	21,7	6,10	7.261	5.349	4.474	1x2	Ø350	3x1080	4x1080	1x1080
ECQ 13E035-803	16,2	4,60	6.361	4.910	4.126	1x3	Ø350	2x1600	3x1600	1x1600
ECQ 13E035-804	21,7	6,10	8.233	6.095	5.047	1x3	Ø350	2x1600	3x1600	1x1600
ECQ 13E035-805	27,2	7,80	9.743	7.199	6.011	1x3	Ø350	3x1600	4x1600	1x1600
ECQ 13E035-806	32,7	9,60	11.032	8.158	6.853	1x3	Ø350	3x1600	4x1600	1x1600
ECQ 14E035-803	21,7	6,10	8.779	6.508	5.394	1x4	Ø350	2x2120	3x2120	1x2120
ECQ 14E035-804	29,1	8,70	11.173	8.305	6.903	1x4	Ø350	2x2120	3x2120	1x2120
ECQ 14E035-805	36,2	10,40	13.015	9.628	8.049	1x4	Ø350	3x2120	4x2120	1x2120
ECQ 14E035-806	43,7	13,00	14.799	10.965	9.227	1x4	Ø350	3x2120	4x2120	1x2120
ECQ 11G040-804	10,3	3,60	3.087	2.490	2.046	1x1	Ø400	2x560	3x560	1x560
ECQ 11G040-805	12,8	4,40	3.731	2.856	2.369	1x1	Ø400	3x560	4x560	1x560
ECQ 11G040-806	15,4	5,40	4.202	3.366	2.730	1x1	Ø400	3x560	4x560	1x560
ECQ 12G040-804	20,6	7,20	6.224	5.048	4.172	1x2	Ø400	2x1080	3x1080	1x1080
ECQ 12G040-805	25,7	9,00	7.407	5.986	4.920	1x2	Ø400	3x1080	4x1080	1x1080
ECQ 12G040-806	30,7	10,30	8.545	6.674	5.600	1x2	Ø400	3x1080	4x1080	1x1080
ECQ 13G040-804	30,5	9,60	9.221	7.322	6.122	1x3	Ø400	2x1600	3x1600	1x1600
ECQ 13G040-805	38,6	13,50	11.281	9.023	7.518	1x3	Ø400	3x1600	4x1600	1x1600
ECQ 13G040-806	46,3	16,20	13.170	10.088	8.437	1x3	Ø400	3x1600	4x1600	1x1600
ECQ 14G040-804	41,2	14,40	12.786	10.086	8.438	1x4	Ø400	2x2120	3x2120	1x2120
ECQ 14G040-805	51,0	16,50	14.896	11.675	9.775	1x4	Ø400	3x2120	4x2120	1x2120
ECQ 14G040-806	61,4	20,60	17.182	13.473	11.334	1x4	Ø400	3x2120	4x2120	1x2120
ECQ 11G045-804	12,9	4,50	4.093	3.131	2.586	1x1	Ø450	3x690	4x690	1x690
ECQ 11G045-805	16,0	5,30	4.689	3.792	3.132	1x1	Ø450	3x690	4x690	1x690
ECQ 11G045-806	19,2	6,40	5.285	4.285	3.471	1x1	Ø450	4x690	5x690	1x690
ECQ 11G045-808	25,7	9,00	6.801	5.247	4.355	1x1	Ø450	4x690	5x690	1x690
ECQ 12G045-804	25,4	8,00	7.643	6.332	5.217	1x2	Ø450	3x1340	4x1340	1x1340
ECQ 12G045-805	32,2	11,30	9.900	7.629	6.353	1x2	Ø450	3x1340	4x1340	1x1340
ECQ 12G045-806	38,6	13,50	11.335	8.735	7.295	1x2	Ø450	4x1340	5x1340	1x1340
ECQ 12G045-808	51,5	18,00	13.728	10.570	8.887	1x2	Ø450	4x1340	5x1340	1x1340
ECQ 13G045-804	38,6	13,50	12.253	9.811	8.223	1x3	Ø450	3x1990	4x1990	1x1990
ECQ 13G045-805	47,8	15,40	14.316	11.385	9.549	1x3	Ø450	3x1990	4x1990	1x1990
ECQ 13G045-806	57,6	19,30	16.544	13.162	11.069	1x3	Ø450	4x1990	5x1990	1x1990
ECQ 13G045-808	77,2	27,00	20.241	16.123	13.321	1x3	Ø450	4x1990	5x1990	1x1990
ECQ 14G045-805	59,0	19,60	17.927	14.560	12.222	1x4	Ø450	3x2440	4x2440	1x2440
ECQ 14G045-806	71,3	24,90	20.770	16.923	13.970	1x4	Ø450	4x2440	5x2440	1x2440
ECQ 14G045-808	95,0	33,30	26.142	20.013	16.790	1x4	Ø450	4x2440	5x2440	1x2440
ECQ 11G050-806	27,2	9,50	7.904	6.475	5.242	1x1	Ø500	4x840	5x840	1x840
ECQ 11G050-808	36,1	12,50	9.848	7.948	6.505	1x1	Ø500	5x840	6x840	1x840
ECQ 12G050-804	35,0	11,60	11.613	9.290	7.746	1x2	Ø500	3x1600	4x1600	1x1600
ECQ 12G050-805	44,1	15,40	14.140	11.321	9.486	1x2	Ø500	4x1600	5x1600	1x1600
ECQ 12G050-806	53,0	18,50	16.568	12.718	10.576	1x2	Ø500	5x1600	6x1600	1x1600
ECQ 12G050-808	70,0	23,20	19.879	15.207	12.703	1x2	Ø500	6x1600	7x1600	1x1600
ECQ 13G050-804	53,9	17,80	17.520	14.286	11.977	1x3	Ø500	3x2440	4x2440	1x2440
ECQ 13G050-805	67,7	23,20	21.183	17.244	14.460	1x3	Ø500	4x2440	5x2440	1x2440
ECQ 13G050-806	81,5	28,50	25.442	19.449	16.177	1x3	Ø500	5x2440	6x2440	1x2440
ECQ 13G050-808	108,6	38,00	31.018	23.726	19.865	1x3	Ø500	6x2440	7x2440	1x2440
ECQ 14G050-804	72,4	25,30	23.088	19.391	15.831	1x4	Ø500	3x3240	4x3240	1x3240
ECQ 14G050-805	90,5	31,70	27.656	23.047	18.739	1x4	Ø500	4x3240	5x3240	1x3240
ECQ 14G050-806	108,5	38,00	33.987	26.015	21.725	1x4	Ø500	5x3240	6x3240	1x3240
ECQ 14G050-808	144,6	49,90	41.270	31.576	26.443	1x4	Ø500	6x3240	7x3240	1x3240

# ÜRÜN BOYUTLARI

## PRODUCT DIMENSIONS

HATVE / FIN SPACING

8 MM



MODEL MODEL MODELL	ÜRÜN BOYUTLARI PRODUCT DIMENSIONS												BAĞLANTILAR CONNECTIONS	
	C(MM)	F(MM)	E(MM)	H1(MM)	H2(MM)	L(MM)	W(MM)	B(MM)	B1(MM)	A(MM)	K(MM)	Y(MM)	GİRİŞ INPUT	ÇIKIŞ OUTPUT
													ØDin	ØDout
ECQ 11E030-803	430	0	176	448	523	782	401	291	0	111	370	330	1x12	1x12
ECQ 11E030-804	430	0	176	448	523	782	401	291	0	111	370	330	1x12	1x12
ECQ 11E030-805	430	0	176	448	523	782	401	291	0	111	370	330	1x12	1x16
ECQ 11E030-806	430	0	176	448	523	782	401	291	0	111	370	330	1x12	1x16
ECQ 12E030-803	830	0	176	448	523	1182	401	291	0	111	370	330	1x12	1x19
ECQ 12E030-804	830	0	176	448	523	1182	401	291	0	111	370	330	1x12	1x19
ECQ 12E030-805	830	0	176	448	523	1182	401	291	0	111	370	330	1x12	1x19
ECQ 12E030-806	830	0	176	448	523	1182	401	291	0	111	370	330	1x12	1x19
ECQ 13E030-804	1230	0	176	448	523	1582	401	291	0	111	370	330	1x12	1x22
ECQ 13E030-805	1230	0	176	448	523	1582	401	291	0	111	370	330	1x12	1x22
ECQ 13E030-806	1230	0	176	448	523	1582	401	291	0	111	370	330	1x12	1x22
ECQ 14E030-804	1590	0	176	448	523	1942	401	291	0	111	370	330	1x16	1x22
ECQ 14E030-805	1590	0	176	448	523	1942	401	291	0	111	370	330	1x16	1x22
ECQ 14E030-806	1590	0	176	448	523	1942	401	291	0	111	370	330	1x16	1x22
ECQ 11E035-803	550	0	176	544	619	902	436	311	0	125	390	350	1x12	1x16
ECQ 11E035-804	550	0	176	544	619	902	436	311	0	125	390	350	1x12	1x16
ECQ 11E035-805	550	0	176	544	619	902	436	311	0	125	390	350	1x12	1x16
ECQ 11E035-806	550	0	176	544	619	902	436	311	0	125	390	350	1x12	1x19
ECQ 12E035-803	1070	0	176	544	619	1422	436	311	0	125	390	350	1x12	1x19
ECQ 12E035-804	1070	0	176	544	619	1422	436	311	0	125	390	350	1x12	1x22
ECQ 12E035-805	1070	0	176	544	619	1422	436	311	0	125	390	350	1x16	1x22
ECQ 12E035-806	1070	0	176	544	619	1422	436	311	0	125	390	350	1x16	1x22
ECQ 13E035-803	1590	0	176	544	619	1942	436	311	0	125	390	350	1x16	1x22
ECQ 13E035-804	1590	0	176	544	619	1942	436	311	0	125	390	350	1x16	1x28
ECQ 13E035-805	1590	0	176	544	619	1942	436	311	0	125	390	350	1x16	1x28
ECQ 13E035-806	1590	0	176	544	619	1942	436	311	0	125	390	350	1x16	1x28
ECQ 14E035-803	2110	0	176	544	619	2462	436	311	0	125	390	350	1x16	1x28
ECQ 14E035-804	2110	0	176	544	619	2462	436	311	0	125	390	350	1x16	1x28
ECQ 14E035-805	2110	0	176	544	619	2462	436	311	0	125	390	350	1x19	1x35
ECQ 14E035-806	2110	0	176	544	619	2462	436	311	0	125	390	350	1x19	1x35
ECQ 11G040-804	550	0	176	634	709	902	523	392	0	132	470	430	1x12	1x19
ECQ 11G040-805	550	0	176	634	709	902	523	392	0	132	470	430	1x12	1x19
ECQ 11G040-806	550	0	176	634	709	902	523	392	0	132	470	430	1x12	1x19
ECQ 12G040-804	1070	0	176	634	709	1422	523	392	0	132	470	430	1x12	1x22
ECQ 12G040-805	1070	0	176	634	709	1422	523	392	0	132	470	430	1x16	1x22
ECQ 12G040-806	1070	0	176	634	709	1422	523	392	0	132	470	430	1x16	1x28
ECQ 13G040-804	1590	0	176	634	709	1942	523	392	0	132	470	430	1x16	1x28
ECQ 13G040-805	1590	0	176	634	709	1942	523	392	0	132	470	430	1x16	1x28
ECQ 13G040-806	1590	0	176	634	709	1942	523	392	0	132	470	430	1x16	1x35
ECQ 14G040-804	2110	0	176	634	709	2462	523	392	0	132	470	430	1x16	1x35
ECQ 14G040-805	2110	0	176	634	709	2462	523	392	0	132	470	430	1x19	1x35
ECQ 14G040-806	2110	0	176	634	709	2462	523	392	0	132	470	430	1x19	1x35
ECQ 11G045-804	680	0	176	639	714	1032	601	472	0	130	550	510	1x12	1x19
ECQ 11G045-805	680	0	176	639	714	1032	601	472	0	130	550	510	1x12	1x19
ECQ 11G045-806	680	0	176	639	714	1032	601	472	0	130	550	510	1x12	1x19
ECQ 11G045-808	680	0	176	639	714	1032	601	472	0	130	550	510	1x12	1x22
ECQ 12G045-804	1330	0	176	639	714	1682	601	472	0	130	550	510	1x12	1x22
ECQ 12G045-805	1330	0	176	639	714	1682	601	472	0	130	550	510	1x12	1x22
ECQ 12G045-806	1330	0	176	639	714	1682	601	472	0	130	550	510	1x16	1x28
ECQ 12G045-808	1330	0	176	639	714	1682	601	472	0	130	550	510	1x16	1x28
ECQ 13G045-804	1980	0	176	639	714	2332	601	472	0	130	550	510	1x16	1x28
ECQ 13G045-805	1980	0	176	639	714	2332	601	472	0	130	550	510	1x16	1x28
ECQ 13G045-806	1980	0	176	639	714	2332	601	472	0	130	550	510	1x16	1x35
ECQ 13G045-808	1980	0	176	639	714	2332	601	472	0	130	550	510	1x19	1x35
ECQ 14G045-805	2430	0	176	639	714	2782	601	472	0	130	550	510	1x19	1x35
ECQ 14G045-806	2430	0	176	639	714	2782	601	472	0	130	550	510	1x19	1x35
ECQ 14G045-808	2430	0	176	639	714	2782	601	472	0	130	550	510	1x22	1x42
ECQ 11G050-806	830	0	176	719	794	1182	606	472	0	135	550	510	1x12	1x22
ECQ 11G050-808	830	0	176	719	794	1182	606	472	0	135	550	510	1x12	1x22
ECQ 12G050-804	1590	0	176	719	794	1942	606	472	0	135	550	510	1x16	1x28
ECQ 12G050-805	1590	0	176	719	794	1942	606	472	0	135	550	510	1x16	1x28
ECQ 12G050-806	1590	0	176	719	794	1942	606	472	0	135	550	510	1x16	1x35
ECQ 12G050-808	1590	0	176	719	794	1942	606	472	0	135	550	510	1x16	1x35
ECQ 13G050-804	2430	0	176	719	794	2782	606	472	0	135	550	510	1x16	1x35
ECQ 13G050-805	2430	0	176	719	794	2782	606	472	0	135	550	510	1x19	1x35
ECQ 13G050-806	2430	0	176	719	794	2782	606	472	0	135	550	510	1x22	1x35
ECQ 13G050-808	2430	0	176	719	794	2782	606	472	0	135	550	510	1x22	1x42
ECQ 14G050-804	3230	0	176	719	794	3582	606	472	0	135	550	510	1x22	1x42
ECQ 14G050-805	3230	0	176	719	794	3582	606	472	0	135	550	510	1x22	1x42
ECQ 14G050-806	3230	0	176	719	794	3582	606	472	0	135	550	510	1x22	1x42
ECQ 14G050-808	3230	0	176	719	794	3582	606	472	0	135	550	510	1x28	1x54

# ÜRÜN ÖZELLİKLERİ

## PRODUCT SPECIFICATOINS

HATVE / FIN SPACING

10 MM



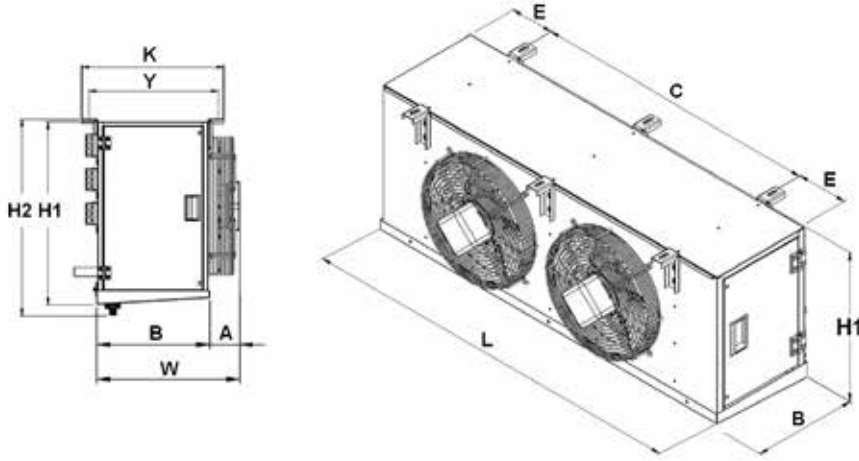
MODEL MODEL MODELL	Yüzey Surface / Oberfläche m <sup>2</sup>	Boru Hacmi Tube Volume Rohrvolumen dm <sup>3</sup>	Kapasite Capacity / Nenn Leistung (R 404 A)			Fan Fan Ventilatoren		DEFROST ISITICILAR ELECTRIC DEFROST		
			Te = -8°C To = 0°C	Te = -25°C To = -18°C	Te = -31°C To = -25°C	Fan Sayısı Fan Number Vent.Anzahl	Fan Çapı Fan Diameter Ventilator Durchmesser	BATARYA COIL (PR x W)	BATARYA COIL (PR x W)	TAVA DRAIN TRAY (PR x W)
			SC2	SC3	SC4			E1	E2	E2
ECQ 11G040-104	8,5	3,60		2.270	1.828	1x1	Ø400	2x560	3x560	1x560
ECQ 11G040-105	10,5	4,20	-	2.435	1.980	1x1	Ø400	3x560	4x560	1x560
ECQ 11G040-106	12,7	5,40	-	3.050	2.476	1x1	Ø400	3x560	4x560	1x560
ECQ 12G040-104	17,0	7,20	-	4.593	3.732	1x2	Ø400	2x1080	3x1080	1x1080
ECQ 12G040-105	21,2	9,00	-	5.439	4.411	1x2	Ø400	3x1080	4x1080	1x1080
ECQ 12G040-106	25,3	10,30	-	6.196	5.131	1x2	Ø400	3x1080	4x1080	1x1080
ECQ 13G040-104	25,0	9,60	-	6.684	5.602	1x3	Ø400	2x1600	3x1600	1x1600
ECQ 13G040-105	31,8	13,50	-	8.267	6.788	1x3	Ø400	3x1600	4x1600	1x1600
ECQ 13G040-106	37,9	15,40	-	9.340	7.672	1x3	Ø400	3x1600	4x1600	1x1600
ECQ 14G040-104	33,9	14,40	-	9.219	7.727	1x4	Ø400	2x2120	3x2120	1x2120
ECQ 14G040-105	41,9	16,50	-	10.730	9.002	1x4	Ø400	3x2120	4x2120	1x2120
ECQ 14G040-106	50,5	20,60	-	12.488	10.380	1x4	Ø400	3x2120	4x2120	1x2120
ECQ 11G045-104	10,5	4,30	-	2.732	2.206	1x1	Ø450	3x690	4x690	1x690
ECQ 11G045-105	13,1	5,30	-	3.473	2.820	1x1	Ø450	3x690	4x690	1x690
ECQ 11G045-106	15,8	6,40	-	3.844	3.123	1x1	Ø450	4x690	5x690	1x690
ECQ 11G045-108	21,1	8,80	-	4.767	3.905	1x1	Ø450	4x690	5x690	1x690
ECQ 12G045-104	20,9	8,00	-	5.730	4.627	1x2	Ø450	3x1340	4x1340	1x1340
ECQ 12G045-105	26,5	11,30	-	6.860	5.566	1x2	Ø450	3x1340	4x1340	1x1340
ECQ 12G045-106	31,8	13,50	-	8.192	6.723	1x2	Ø450	4x1340	5x1340	1x1340
ECQ 12G045-108	42,2	17,40	-	9.839	8.041	1x2	Ø450	4x1340	5x1340	1x1340
ECQ 13G045-104	31,8	13,50	-	9.003	7.469	1x3	Ø450	3x1990	4x1990	1x1990
ECQ 13G045-105	39,3	15,40	-	10.447	8.747	1x3	Ø450	3x1990	4x1990	1x1990
ECQ 13G045-106	47,4	19,30	-	12.173	10.059	1x3	Ø450	4x1990	5x1990	1x1990
ECQ 13G045-108	63,4	26,50	-	14.737	12.363	1x3	Ø450	4x1990	5x1990	1x1990
ECQ 14G045-105	48,5	19,60	-	13.389	11.005	1x4	Ø450	3x2440	4x2440	1x2440
ECQ 14G045-106	58,7	24,90	-	15.497	12.605	1x4	Ø450	4x2440	5x2440	1x2440
ECQ 14G045-108	78,3	33,30	-	18.770	15.766	1x4	Ø450	4x2440	5x2440	1x2440
ECQ 11G050-106	22,4	9,50	-	5.805	4.713	1x1	Ø500	4x840	5x840	1x840
ECQ 11G050-108	29,8	12,50	-	7.282	5.930	1x1	Ø500	5x840	6x840	1x840
ECQ 12G050-105	36,3	15,40	-	10.408	8.700	1x2	Ø500	4x1600	5x1600	1x1600
ECQ 12G050-106	43,6	18,50	-	11.394	9.262	1x2	Ø500	5x1600	6x1600	1x1600
ECQ 12G050-108	57,6	23,20	-	14.484	11.970	1x2	Ø500	6x1600	7x1600	1x1600
ECQ 13G050-105	55,7	23,20	-	15.852	13.017	1x3	Ø500	4x2440	5x2440	1x2440
ECQ 13G050-106	67,0	28,50	-	18.331	14.940	1x3	Ø500	5x2440	6x2440	1x2440
ECQ 13G050-108	89,2	37,40	-	22.058	18.026	1x3	Ø500	6x2440	7x2440	1x2440
ECQ 14G050-105	74,5	31,70	-	20.608	16.679	1x4	Ø500	4x3240	5x3240	1x3240
ECQ 14G050-106	89,4	38,00	-	23.433	19.080	1x4	Ø500	5x3240	6x3240	1x3240
ECQ 14G050-108	119,0	49,90	-	29.571	24.796	1x4	Ø500	6x3240	7x3240	1x3240

# ÜRÜN BOYUTLARI

PRODUCT DIMENSIONS

HATVE / FIN SPACING

10 MM



MODEL MODEL MODELL	ÜRÜN BOYUTLARI PRODUCT DIMENSIONS												BAĞLANTILAR CONNECTIONS	
	C(MM)	F(MM)	E(MM)	H1(MM)	H2(MM)	L(MM)	W(MM)	B(MM)	B1(MM)	A(MM)	K(MM)	Y(MM)	GİRİŞ INPUT	ÇIKIŞ OUTPUT
													ØDin	ØDout
ECQ 11G040-104	550	0	176	634	709	902	523	392	0	132	470	430	1x12	1x19
ECQ 11G040-105	550	0	176	634	709	902	523	392	0	132	470	430	1x12	1x19
ECQ 11G040-106	550	0	176	634	709	902	523	392	0	132	470	430	1x12	1x19
ECQ 12G040-104	1070	0	176	634	709	1422	523	392	0	132	470	430	1x12	1x22
ECQ 12G040-105	1070	0	176	634	709	1422	523	392	0	132	470	430	1x16	1x22
ECQ 12G040-106	1070	0	176	634	709	1422	523	392	0	132	470	430	1x16	1x28
ECQ 13G040-104	1590	0	176	634	709	1942	523	392	0	132	470	430	1x16	1x28
ECQ 13G040-105	1590	0	176	634	709	1942	523	392	0	132	470	430	1x16	1x28
ECQ 13G040-106	1590	0	176	634	709	1942	523	392	0	132	470	430	1x16	1x35
ECQ 14G040-104	2110	0	176	634	709	2462	523	392	0	132	470	430	1x16	1x35
ECQ 14G040-105	2110	0	176	634	709	2462	523	392	0	132	470	430	1x19	1x35
ECQ 14G040-106	2110	0	176	634	709	2462	523	392	0	132	470	430	1x19	1x35
ECQ 11G045-104	680	0	176	639	714	1032	601	472	0	130	550	510	1x12	1x19
ECQ 11G045-105	680	0	176	639	714	1032	601	472	0	130	550	510	1x12	1x19
ECQ 11G045-106	680	0	176	639	714	1032	601	472	0	130	550	510	1x12	1x19
ECQ 11G045-108	680	0	176	639	714	1032	601	472	0	130	550	510	1x12	1x22
ECQ 12G045-104	1330	0	176	639	714	1682	601	472	0	130	550	510	1x12	1x22
ECQ 12G045-105	1330	0	176	639	714	1682	601	472	0	130	550	510	1x12	1x22
ECQ 12G045-106	1330	0	176	639	714	1682	601	472	0	130	550	510	1x16	1x28
ECQ 12G045-108	1330	0	176	639	714	1682	601	472	0	130	550	510	1x16	1x28
ECQ 13G045-104	1980	0	176	639	714	2332	601	472	0	130	550	510	1x16	1x28
ECQ 13G045-105	1980	0	176	639	714	2332	601	472	0	130	550	510	1x16	1x28
ECQ 13G045-106	1980	0	176	639	714	2332	601	472	0	130	550	510	1x16	1x35
ECQ 13G045-108	1980	0	176	639	714	2332	601	472	0	130	550	510	1x19	1x35
ECQ 14G045-105	2430	0	176	639	714	2782	601	472	0	130	550	510	1x19	1x35
ECQ 14G045-106	2430	0	176	639	714	2782	601	472	0	130	550	510	1x19	1x35
ECQ 14G045-108	2430	0	176	639	714	2782	601	472	0	130	550	510	1x22	1x42
ECQ 11G050-106	830	0	176	719	794	1182	606	472	0	135	550	510	1x12	1x22
ECQ 11G050-108	830	0	176	719	794	1182	606	472	0	135	550	510	1x12	1x22
ECQ 12G050-105	1590	0	176	719	794	1942	606	472	0	135	550	510	1x16	1x28
ECQ 12G050-106	1590	0	176	719	794	1942	606	472	0	135	550	510	1x16	1x35
ECQ 12G050-108	1590	0	176	719	794	1942	606	472	0	135	550	510	1x16	1x35
ECQ 13G050-105	2430	0	176	719	794	2782	606	472	0	135	550	510	1x19	1x35
ECQ 13G050-106	2430	0	176	719	794	2782	606	472	0	135	550	510	1x22	1x35
ECQ 13G050-108	2430	0	176	719	794	2782	606	472	0	135	550	510	1x22	1x42
ECQ 14G050-105	3230	0	176	719	794	3582	606	472	0	135	550	510	1x22	1x42
ECQ 14G050-106	3230	0	176	719	794	3582	606	472	0	135	550	510	1x22	1x42
ECQ 14G050-108	3230	0	176	719	794	3582	606	472	0	135	550	510	1x28	1x54